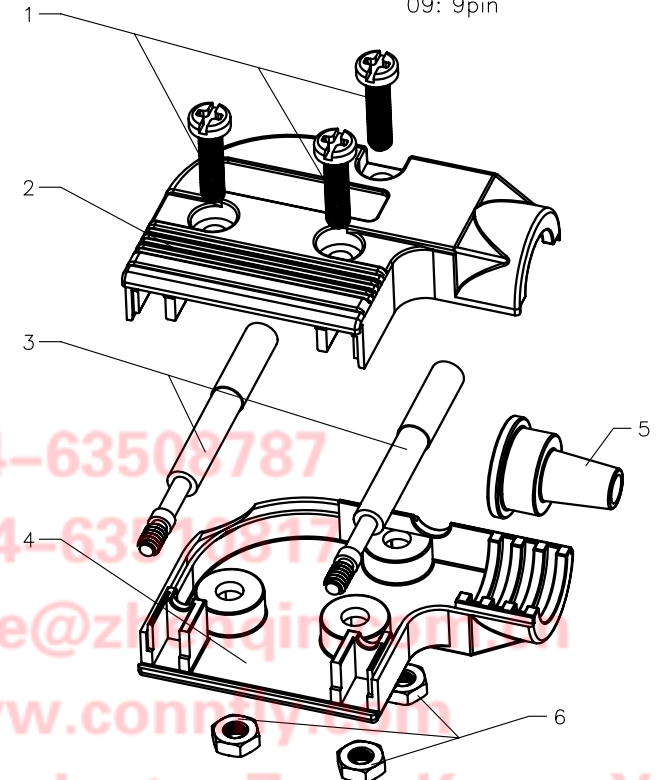
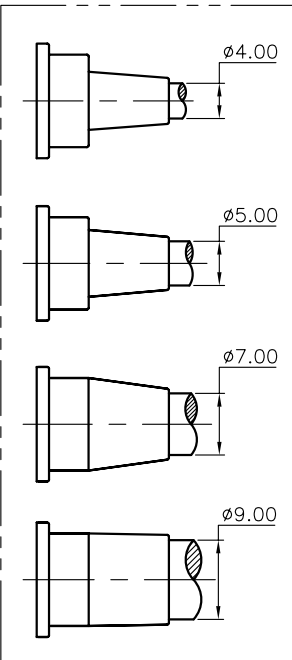
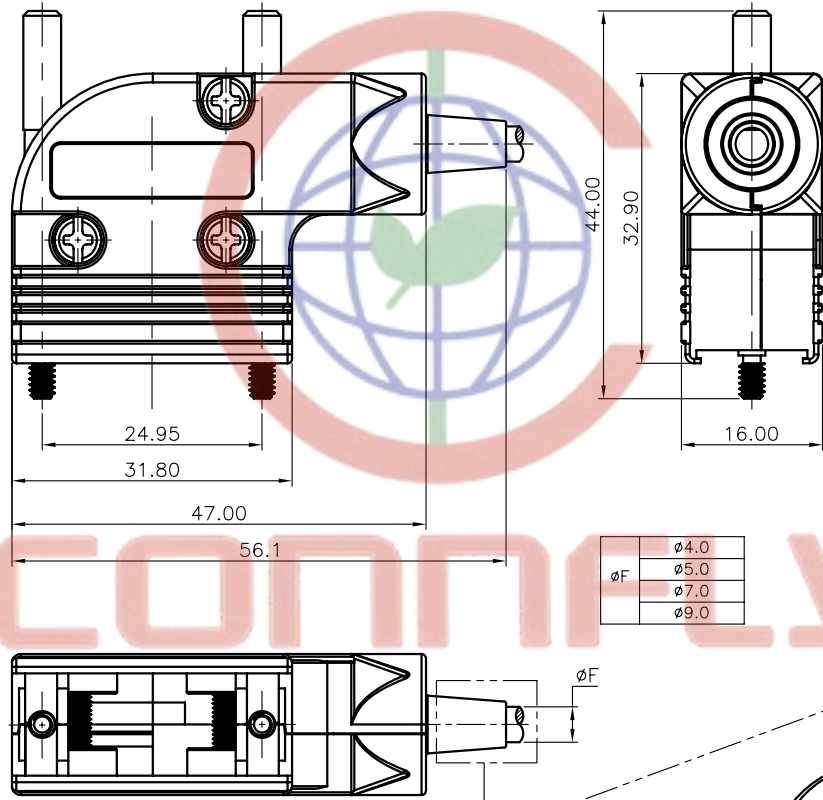


REV.	DESCRIPTION	DRAWN	CHECKED	APPROVED
A	NEW RELEASE	YCH 03/31/11'	~	

NOTES:

- METAL HOOD MATERIAL: Zinc alloy
- PART NUMBER CODE:  
DS1047-01 - 09 X X  
  - Packing type  
1: Mix packing  
2: Separation packing
  - Cover Material  
M: Metal(Znic alloy)
  - Positions  
09: 9pin



BOM LIST			
ITEM	PART NAME	Q'ty	NOTES
1	SCREW	3	M3
2	UP METAL HOOD	1	Znic alloy
3	LONG BOLT	2	UNC 4-40
4	DOWN METAL HOOD	1	Znic alloy
5	SR	4	
6	NUT	3	M3

GENERAL TOLERANCE	ANGLE TOLERANCE
X. $\pm 0.60$	X. $\pm 5^\circ$
.X $\pm 0.38$	.X $\pm 3^\circ$
.XX $\pm 0.25$	.XX $\pm 2^\circ$

PROJECTION	TITLE
	D-SUB 9pin Metal Cover 90° type
UNITS	mm
SHEET SIZE	A4
SERIES	DS1047-01 SERIES

DRAWING TYPE	COSTOMER
SCALE	1:1 SHEET 1 OF 1
DRAWING NO.	C-DS1047-01-09XX-A

晨翔电子有限公司  
CONNFly CONNFly ELECTRONIC CO. LTD

REV.	DESCRIPTION	DRAWN	CHECKED	APPROVED
A	NEW RELEASE	YCH 03/31/11'	~	

NOTES:

1. METAL HOOD MATERIAL: Zinc alloy

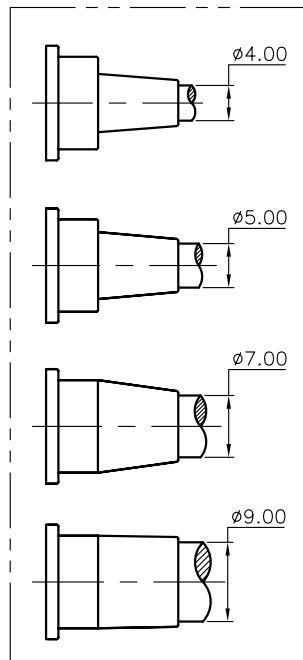
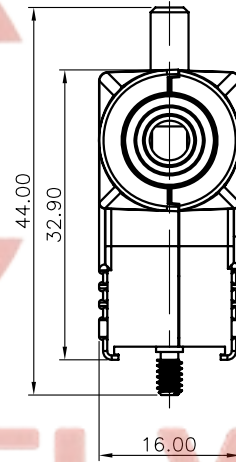
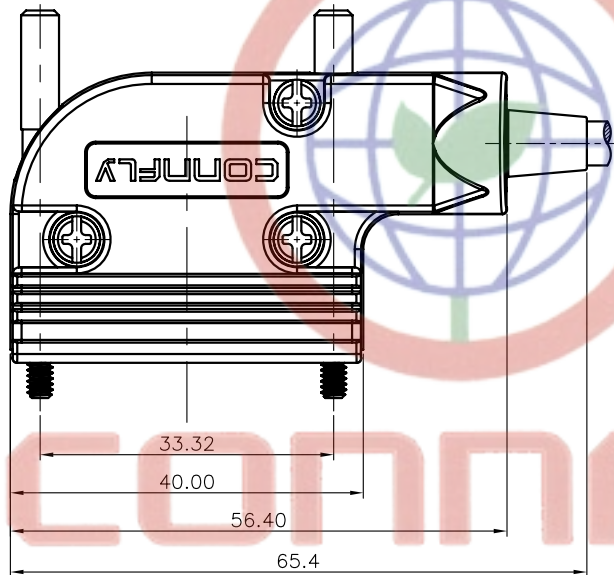
2. PART NUMBER CODE:

DS1047-01 - 15 X X

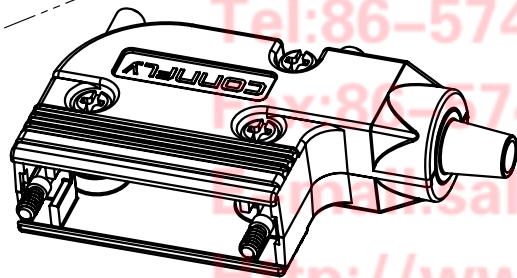
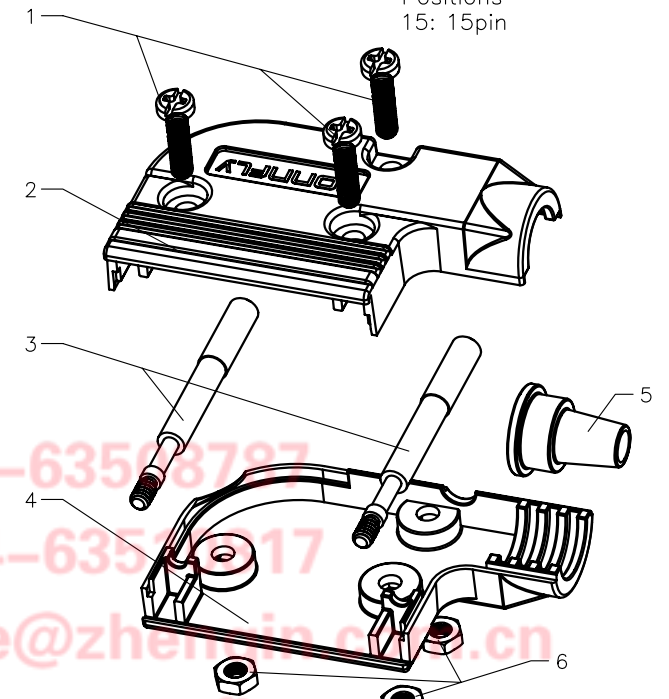
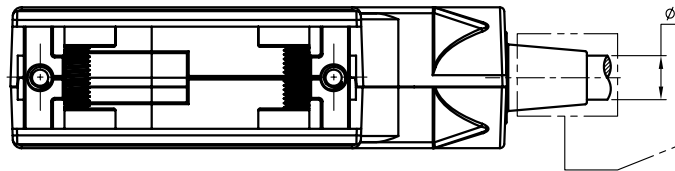
Packing type  
1: Mix packing  
2: Separation packing

Cover Material  
M: Metal(Zinc alloy)

Positions  
15: 15pin



$\phi F$	
	$\phi 4.0$
	$\phi 5.0$
	$\phi 7.0$
	$\phi 9.0$



BOM LIST			
ITEM	PART NAME	Q'ty	NOTES
1	SCREW	3	M3
2	UP METAL HOOD	1	Zinc alloy
3	LONG BOLT	2	UNC 4-40
4	DOWN METAL HOOD	1	Zinc alloy
5	SR	4	
6	NUT	3	M3

GENERAL TOLERANCE		ANGLE TOLERANCE		PROJECTION	TITLE
X.	$\pm 0.60$	X.	$\pm 5^\circ$		D-SUB 15pin Metal Cover
.X	$\pm 0.38$	.X	$\pm 3^\circ$	mm	90° type
.XX	$\pm 0.25$	.XX	$\pm 2^\circ$		
DRAWING TYPE		CUSTOMER		SHEET SIZE	SERIES
SCALE		1:1		A4	DS1047-01 SERIES
DRAWING NO.		C-DS1047-01-15XX-A		SHEET 1 OF 1	

晨翔电子有限公司  
CONNFLY CONNFLY ELECTRONIC CO. LTD

Tel: 86-574-63583787  
Fax: 86-574-63583717  
Email: sales@zhennan.com.cn  
http://www.connfly.com

REV.	DESCRIPTION	DRAWN	CHECKED	APPROVED
A	NEW RELEASE	YCH 03/31/11'	~	

NOTES:

1. METAL HOOD MATERIAL: Zinc alloy

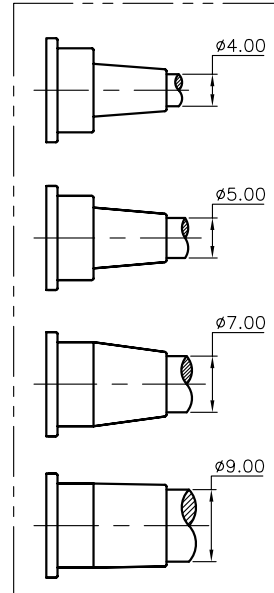
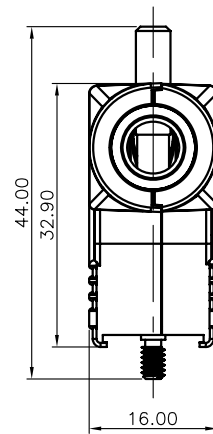
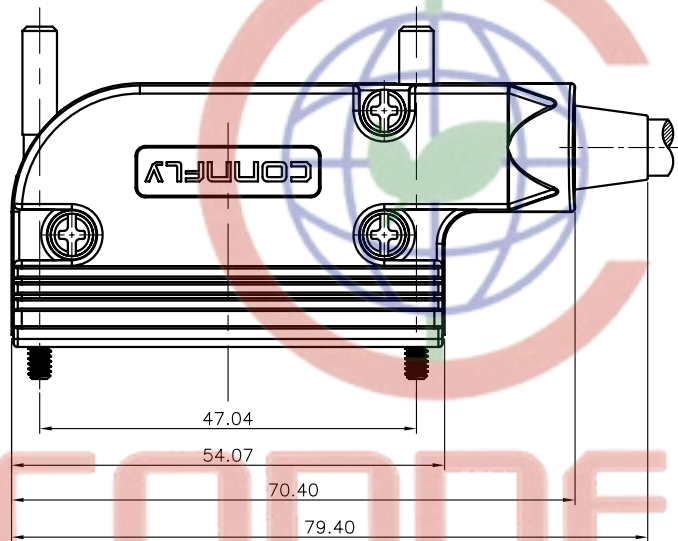
2. PART NUMBER CODE:

DS1047-01 - 25 X X

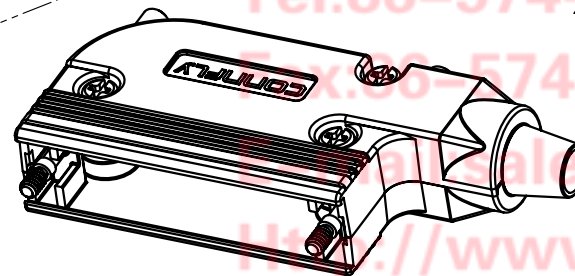
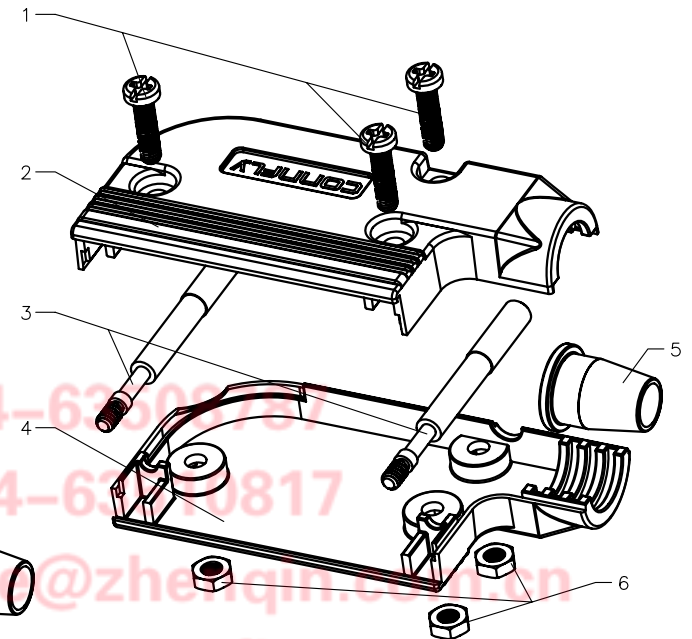
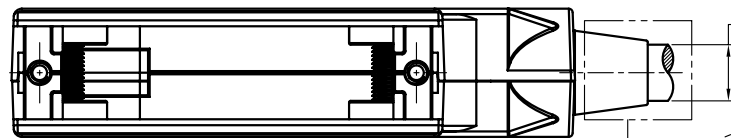
Packing type  
1: Mix packing  
2: Separation packing

Cover Material  
M: Metal(Zinc alloy)

Positions  
25: 25pin



$\phi F$	$\phi 4.0$
	$\phi 5.0$
	$\phi 7.0$
	$\phi 9.0$



BOM LIST			
ITEM	PART NAME	Q'ty	NOTES
1	SCREW	3	M3
2	UP METAL HOOD	1	Znic alloy
3	LONG BOLT	2	UNC 4-40
4	DOWN METAL HOOD	1	Znic alloy
5	SR	4	
6	NUT	3	M3

GENERAL TOLERANCE	ANGLE TOLERANCE	PROJECTION	TITLE
X. $\pm 0.60$	X. $\pm 5^\circ$	UNITS	D-SUB 25pin Metal Cover
.X $\pm 0.38$	.X $\pm 3^\circ$	SHEET SIZE	90° type
.XX $\pm 0.25$	.XX $\pm 2^\circ$	A4	SERIES DS1047-01 SERIES
DRAWING TYPE	CUSTOMER		
SCALE	1:1	SHEET	1 OF 1
DRAWING NO.	C-DS1047-01-25XX-A		



晨翔电子有限公司

CONNFLY CONNFLY ELECTRONIC CO. LTD

Tel:86-574-6350878  
Fax:86-574-6350817  
Email:sales@zhejiqn.com  
http://www.connfly.com

REV.	DESCRIPTION	DRAWN	CHECKED	APPROVED
A	NEW RELEASE	YCH 03/31/11'	~	

NOTES:

1. METAL HOOD MATERIAL: Znic alloy

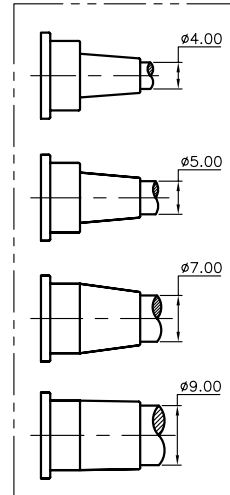
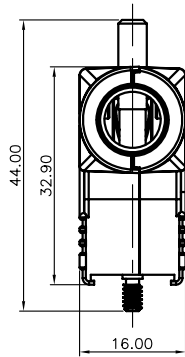
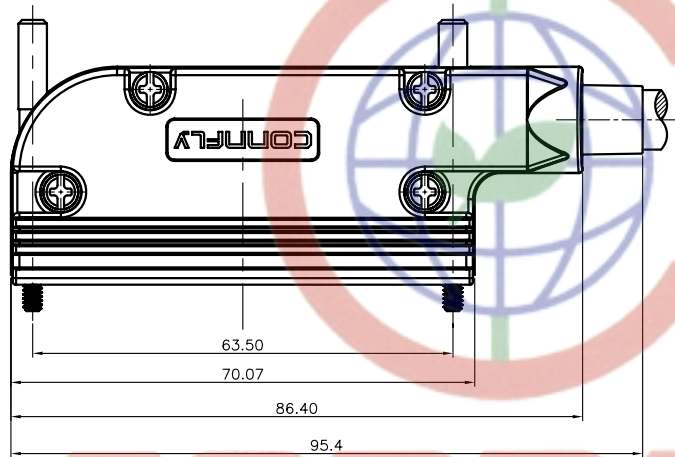
2. PART NUMBER CODE:

DS1047-01 - 37 X X

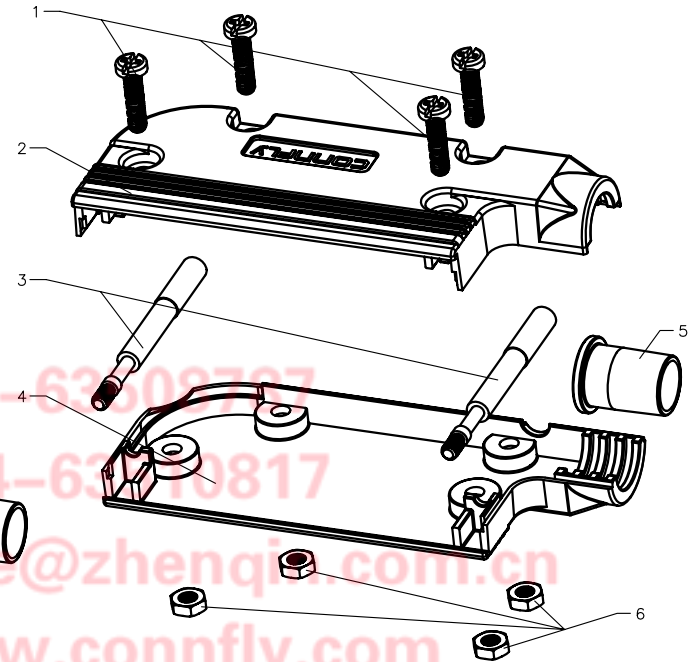
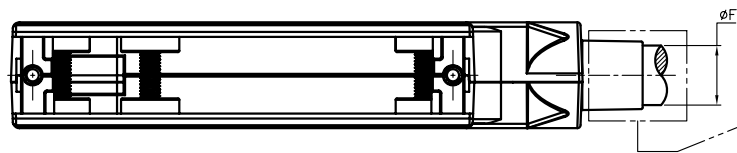
Packing type  
1: Mix packing  
2: Separation packing

Cover Material  
M: Metal(Znic alloy)


Positions  
37: 37pin



$\phi F$	
$\phi 4.0$	
$\phi 5.0$	
$\phi 7.0$	
$\phi 9.0$	



BOM LIST			
ITEM	PART NAME	Q'ty	NOTES
1	SCREW	4	M3
2	UP METAL HOOD	1	Znic alloy
3	LONG BOLT	2	UNC 4-40
4	DOWN METAL HOOD	1	Znic alloy
5	SR	4	
6	NUT	4	M3

GENERAL TOLERANCE		ANGLE TOLERANCE		PROJECTION	TITLE
X.	$\pm 0.60$	X.	$\pm 5^\circ$	UNITS	mm
.X	$\pm 0.38$	.X	$\pm 3^\circ$	SHEET SIZE	A4
.XX	$\pm 0.25$	.XX	$\pm 2^\circ$	D-SUB 37pin Metal Cover 90° type	
DRAWING TYPE				COSTOMER	
SCALE				1:1 SHEET 1 OF 1	
DRAWING NO.				C-DS1047-01-37XX-A	
 <b>晨翔电子有限公司</b> <b>CONNFLY CONNFLY ELECTRONIC CO. LTD</b>					

Tel:86-574-63508787

Fax:86-574-63508817

E-mail:sales@zhengqi.com.cn

Http://www.connfly.com

ADD: East Zone, Ningbo City, China

Town, Ningbo, China